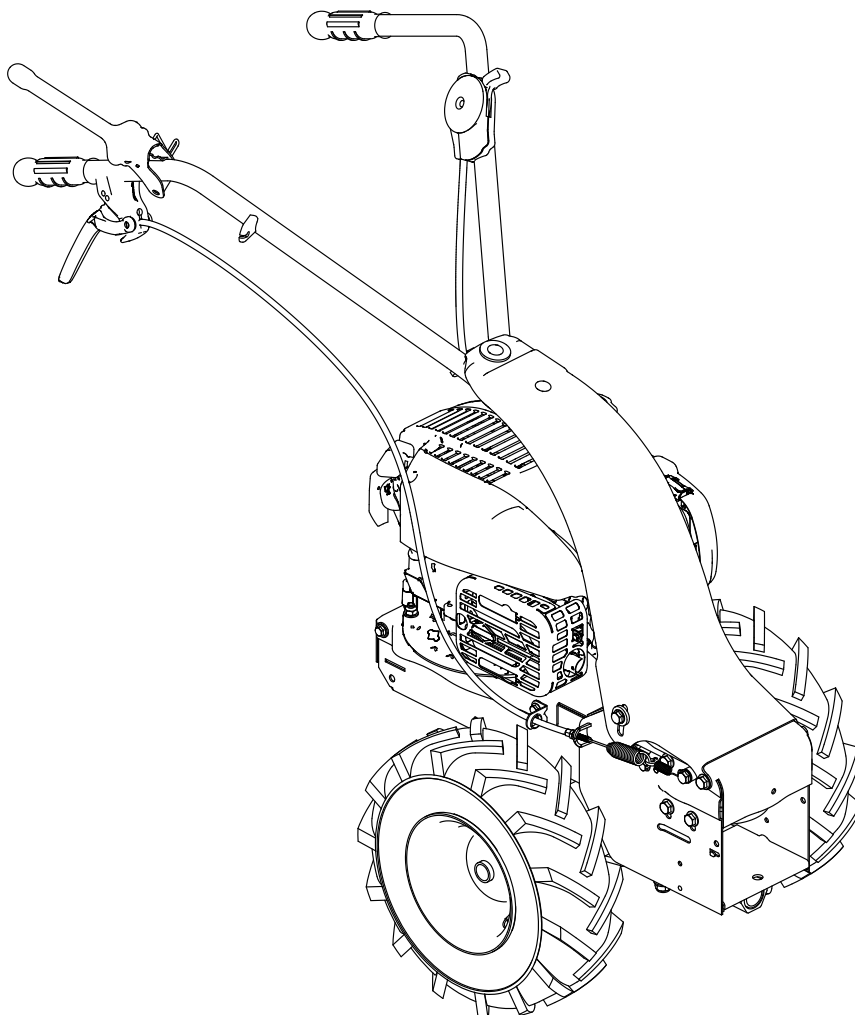


# ESPLOSO EXPLODED VIEW



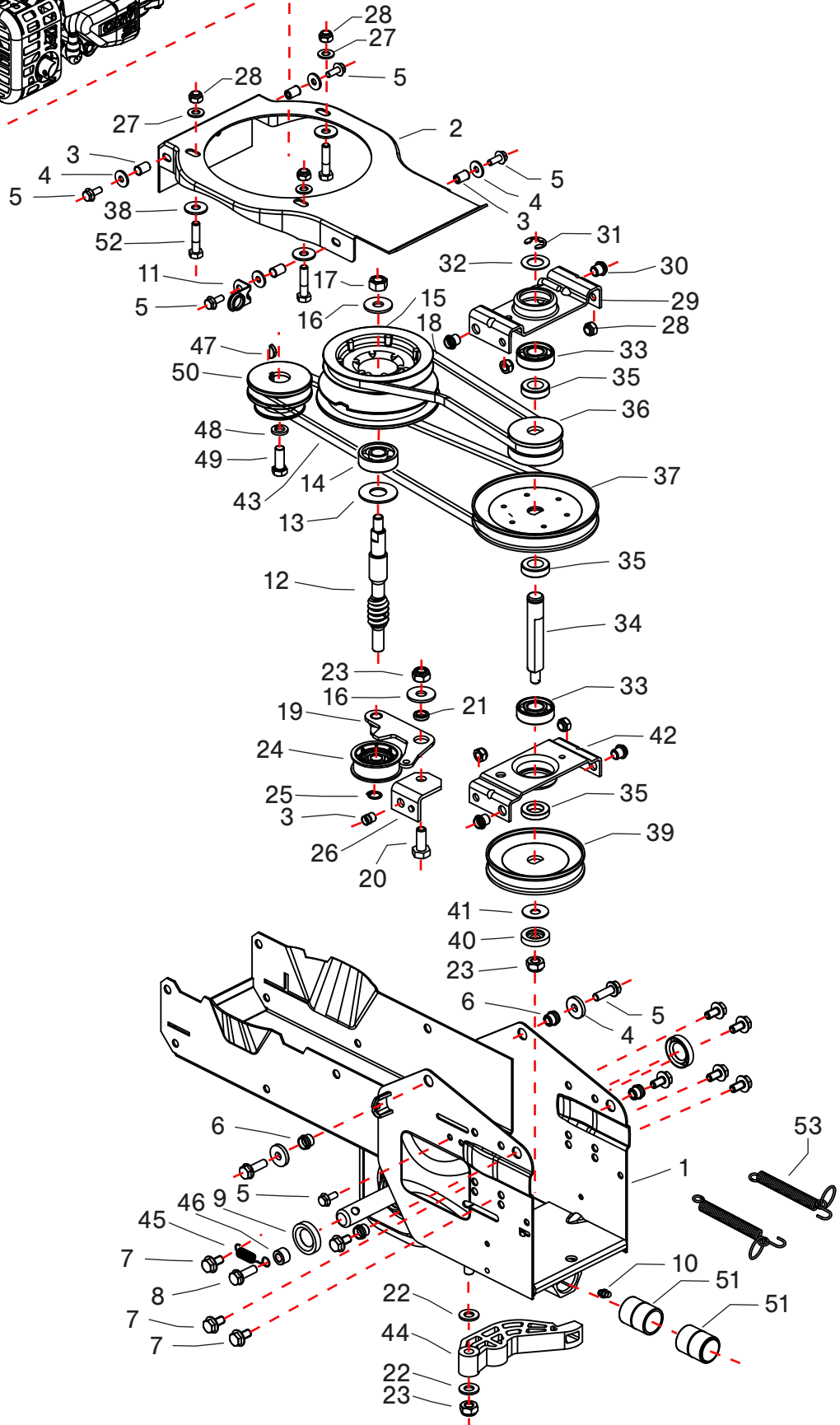
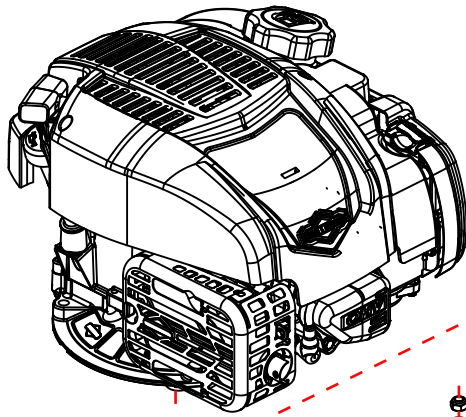
# MFL04

10/2020

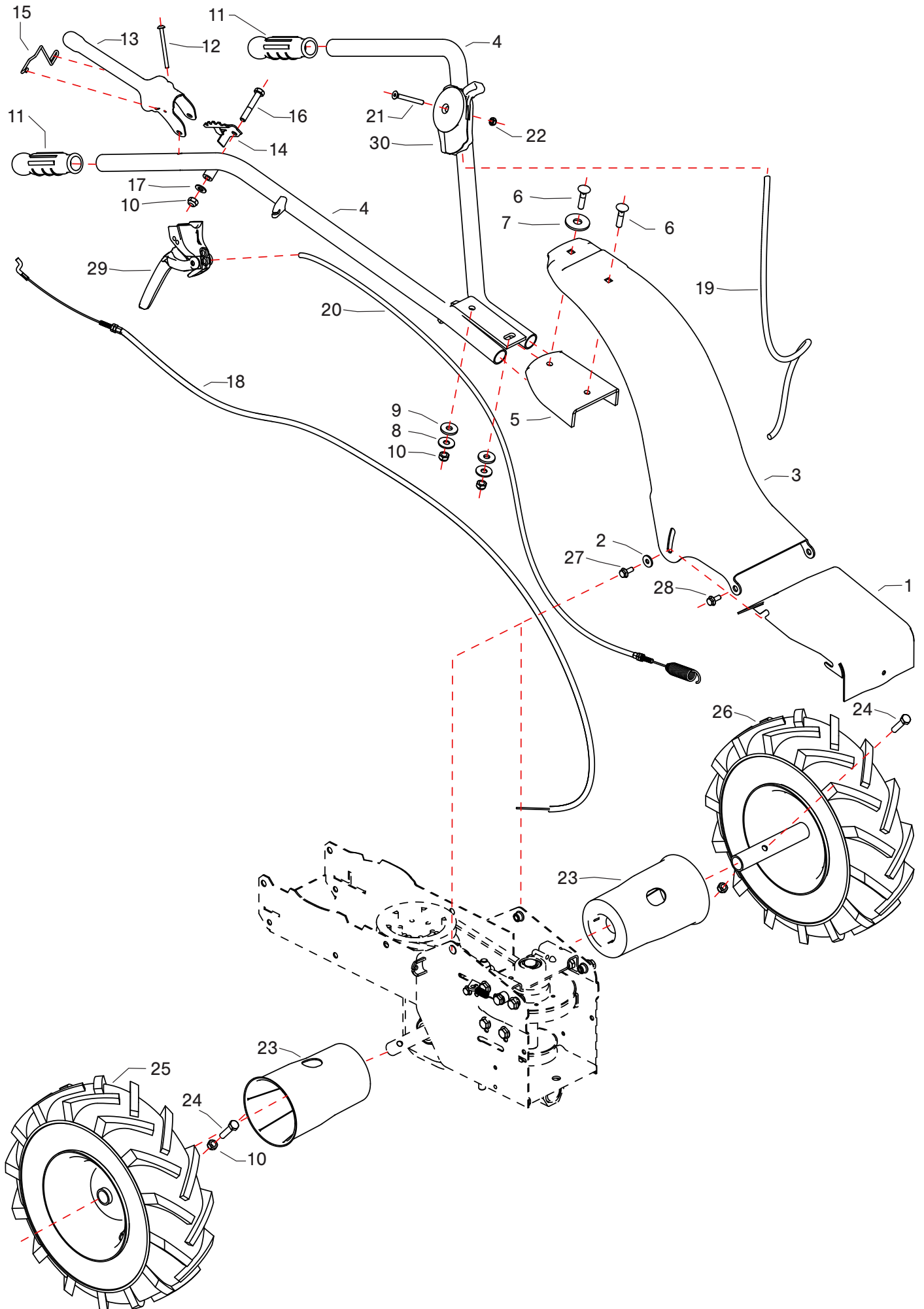


Via G.Pastore, 8 | Zona industriale | 42045 Luzzara (RE) | Italy | (t) +39 0522 977169 | (f) +39 0522 977819 |

(m) info@eurosystems-spa.com | (w) www.eurosystems-spa.com



1	321005720	Telaio   Frame	28	814588000	Dado M8   Nut M8
2	321005120	Coperchio   Cover	29	322005175	Supporto superiore   Upper support
3	808990000	Insero filettato M6   Threaded insert M6	30	808991000	Insero filettato M8   Threaded insert M8
4	843619000	Rosetta   Washer	31	801040060	Anello benzing   Benzing ring
5	862120000	Vite TE M6x16 flangiata   Flanged screw TE	32	270013596	Distanziale   Spacer
6	260050200	Insero filettato M8   Threaded insert M8	33	812586000	Cuscinetto   Bearing
7	862494000	Vite TE M8x16 flangiata   Flanged screw TE	34	321005713	Albero   Shaft
8	862685000	Vite TE M8x25 flangiata   Flanged screw TE	35	231005258	Distanziale   Spacer
9	802060000	Anello di tenuta   Sealing ring	36	322005185	Puleggia   Pulley
10	826016000	Ingrassatore M6   Greaser M6	37	261005203	Puleggia   Pulley
11	360010130	Piastrina passafilo   Platelet Threader	38	843708000	Rosetta   Washer
12	322005150	Vite senza fine   Endless screw	39	261005200	Puleggia   Pulley
13	321005900	Guarnizione olio   Oil seal	40	260005232	Distanziale   Spacer
14	811050160	Cuscinetto   Bearing	41	270015588	Molla a tazza   Cup spring
15	322005155	Puleggia doppia   Double pulley	42	263005135	Supporto   Support
16	843818000	Rosetta   Washer	43	321005195	Cinghia SPZ   Belt SPZ
17	814667000	Dado M10x1   Nut M10x1	44	261005920	Leva tendi attrezzi   tool tensioner lever
18	322005160	Cinghia   Belt	45	231005903	Molla   Spring
19	322005176	Leva tendicinghia   Belt tensioner lever	46	220005199	Distanziale   Spacer
20	863254000	Vite M10x25   Screw M10x25	47	260050202	Linguetta   Tongue
21	260005230	Distanziale   Spacer	48	843755000	Rosetta   Washer
22	843812000	Rosetta   Washer	49	260050201	Vite TE 3/8x1   Screw TE 3/8X1
23	814645000	Dado M10   Nut M10	50	322025100	Puleggia motore   Engine pulley
24	322005900	Ruota tendicinghia   Belt tensioner pulley	51	261005901	Boccola   Bush
25	801102000	Anello seeger   Seeger ring	52	862741000	Vite M8x35   Screw M8x35
26	321005408	Supp. leva tendicinghia   Belt tensioner lever	53	321300282	Molla   Spring
27	843685000	Rosetta D8   Washer			



- 1 **322005111** Coperchio telaio | Frame cover
- 2 **843711000** Rosetta | Washer
- 3 **321010134** Supporto stegola | Handlebar support
- 4 **322010191** Stegola | handlebar
- 5 **321010902** Fascia antivibrante | Antivibration band
- 6 **862786250** Vite M8x35 | Screw M8x35
- 7 **843884000** Rosetta | Washer
- 8 **843708000** Rosetta | Washer
- 9 **321010901** Rosetta | Washer
- 10 **814588000** Dado M8 | Nut M8
- 11 **330010910** Manopola | Knob
- 12 **861840275** Vite M6x60 | Screw M6x60
- 13 **261010302** Leva innesto attrezzi | Tool engagement lever
- 14 **261010304** Piastra aggancio | Hooking plate
- 15 **261010305** Molla blocca leva | Lever locking spring
- 16 **862881000** Vite M8x50 | Screw M8x50
- 17 **843685000** Rosetta | Washer
- 18 **322010400** Trasmissione innesto attrezzo | Gear engagement transmission
- 19 **261050224** Filo + guaina acc. | Full wire throttle
- 20 **322010305** Trasmissione completa | Full transmission
- 21 **862356200** Vite M6x55 | Screw M6x55
- 22 **814548000** Dado M6 | Nut M6
- 23 **321015905** Parapolvere ruote | Wheel dust cover
- 24 **862860020** Vite M8x35 | Screw M8x35
- 25 **321015262** Ruota piena 13x5.00-6 DX | Full wheel R
- 26 **321015263** Ruota piena 13x5.00-6 SX | Full wheel L
- 27 **862685000** Vite TE M8x25 | Screw TE M8x25
- 28 **862494000** Vite TE M8x16 | Screw TE M8x16
- 29 **360010185** Leva singola | Single lever
- 30 **321010920** Acceleratore completo | Full throttle